

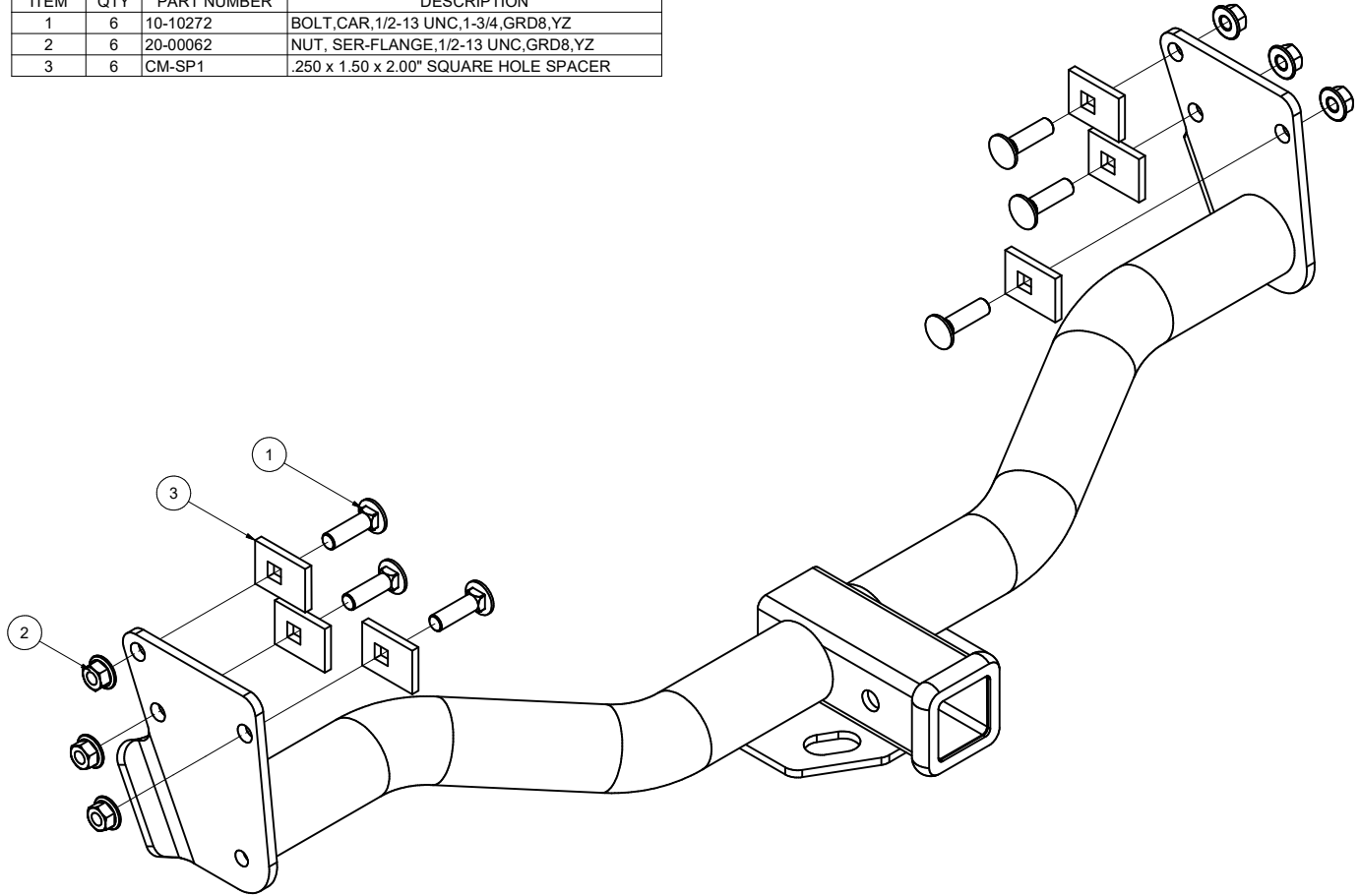
13300 / 757220

03 - 04 CHEVY/GMC BLAZER, JIMMY S-10/S-15 (2 DR ONLY)
95 - 02 CHEVY/GMC BLAZER, JIMMY S-10/S-15 (2 & 4 DR)
95 - 04 OLDSMOBILE BRAVADA

09/15/2020

GROSS LOAD CAPACITY WHEN USED AS A WEIGHT CARRYING HITCH: 4,000 LBS. TRAILER WEIGHT & 400 LBS. TONGUE WEIGHT.
GROSS LOAD CAPACITY WHEN USED AS A WEIGHT DISTRIBUTION HITCH: 6,000 LBS. TRAILER WEIGHT & 600 LBS. TONGUE WEIGHT
*****DO NOT EXCEED VEHICLE MANUFACTURER'S RECOMMENDED TOWING CAPACITY.*****

Parts List			
ITEM	QTY	PART NUMBER	DESCRIPTION
1	6	10-10272	BOLT,CAR,1/2-13 UNC,1-3/4,GRD8,YZ
2	6	20-00062	NUT, SER-FLANGE,1/2-13 UNC,GRD8,YZ
3	6	CM-SP1	.250 x 1.50 x 2.00" SQUARE HOLE SPACER



HITCH WEIGHT: 29 LBS.

INSTALL TIME: 30 MINUTES

INSTALL NOTES:

- NO DRILLING REQUIRED

INSTALLATION STEPS

1. FROM INSIDE THE FRAME, PLACE A 1/2" x 1 3/4" CARRIAGE BOLT AND SQUARE HOLE SPACER IN ALL SIX FRAME HOLES.
2. RAISE THE HITCH INTO POSITION. LINE THE HITCH UP WITH THE BOLTS INSERTED IN STEP 1 AND ATTACH THE FLANGE. NUTS.
3. TIGHTEN ALL MOUNTING BOLTS TO 110 FT-LBS WITH A TORQUE WRENCH.

PERIODICALLY CHECK THIS RECEIVER HITCH TO ENSURE THAT ALL FASTENERS ARE TIGHT AND THAT ALL STRUCTURAL COMPONENTS ARE SOUND.

Curt Manufacturing Inc., warrants this product to be free of defects in material and/or workmanship at the time of retail purchase by the original purchaser. If the product is found to be defective, Curt Manufacturing Inc., may repair or replace the product, at their option, when the product is returned, prepaid, with proof of purchase. Alteration to, misuse of, or improper installation of this product voids the warranty. Curt Manufacturing Inc.'s liability is limited to repair or replacement of products found to be defective, and specifically excludes liability for incidental or consequential loss or damage.